

HOW TO IMPLANT WITH SYNOVEX® C (progesterone and estradiol benzoate)

100 mg progesterone and 10 mg estradiol benzoate per implant

PELLETS

Study the following instructions carefully, then proceed step by step, until the technique becomes routine. Many head can be implanted per hour by an experienced team, one member of which should be assigned to do nothing but the implantation. This person should maintain hand cleanliness and use sanitary instruments only.

HOW SUPPLIED

20 Dose
100 Dose

- 2 -

SYNOVEX® C Implants

Synovex C (progesterone and estradiol benzoate) is recommended for use in suckling beef calves up to 400 lbs of body weight. Synovex C is also recommended for improvement in rate of weight gain in steers weighing greater than 400 pounds and fed in confinement for slaughter when used as part of a re-implant program in which an initial Synovex C implant is followed at approximately 70 days by Synovex S. Do not use in veal calves. Effectiveness and animal safety in veal calves have not been established.

Do not use in bull calves intended for reproduction, or in calves less than 45 days old.

Store at controlled room temperature 20° - 25°C (68° - 77°F) with excursions between 15°-30°C (59°-86°F).

Avoid excessive heat or humidity.

WARNING

Not for use in humans. For animal use only. Implant pellets in the ear only. Any other location is in violation of federal law. Do not attempt salvage of implanted site for human or animal food.

A withdrawal period has not been established for this product in pre-ruminating calves. Do not use in calves to be processed for veal.

CAUTION

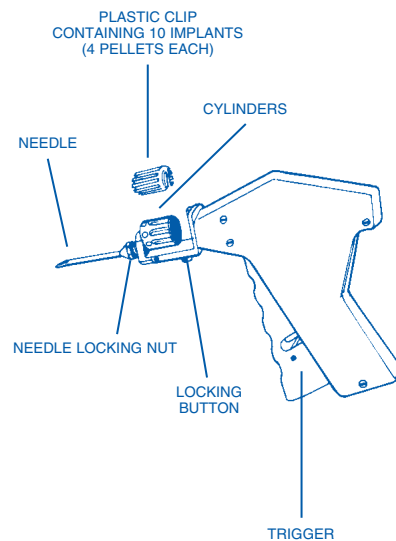
Bulling, rectal and vaginal prolapse, udder development, ventral edema and elevated tailheads may be reported in calves administered Synovex C implants.

Keep this and all drugs out of the reach of children.

Restricted Drug (California)—
Use Only as Directed.

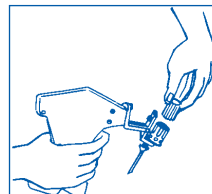
- 3 -

SYNOVEX® Gun



- 4 -

STEP 1 Loading The SYNOVEX Gun



Load the Synovex gun following the directions outlined in the instruction manual accompanying each Synovex gun.

STEP 2 Restraint

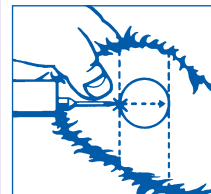


The animal must be confined in a restraint mechanism (squeeze chute or head gate). The implant site on the back of the ear should be prepared by scrubbing with a firm bristled brush that has been soaked in a germicidal solution.

Note: If implanting horned cattle, greater safety is provided when the head is controlled by the use of a bull lead (nose tongs).

- 5 -

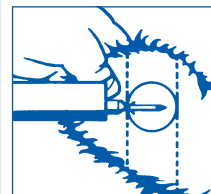
STEP 3 Implant Site



Divide the ear into three imaginary sections as illustrated. The implanted pellets should be deposited in the center one-third of the ear as shown. To accomplish this, the Synovex gun needle should be inserted in the **outer** one-third of the ear as

indicated by the "X" in the illustration. Implanting too close to the head may cause abnormal sexual behavior. Care should be taken to avoid severing the major arteries of the ear.

STEP 4 Insert Needle

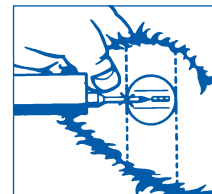


of the ear) until the full needle length is beneath the skin.

Grasp the ear with one hand. Holding the Synovex gun firmly with the other hand, penetrate the skin at the point shown by the "X". Thrust the needle under the skin taking care not to penetrate the cartilage. Ease the Synovex gun forward (toward the base

- 6 -

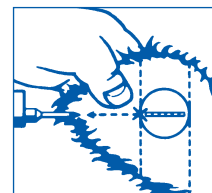
STEP 5 Pellet Implantation



straight line in the path of the needle.

When the needle is completely inserted, withdraw the needle approximately one-half inch. Then with continuous gentle pressure on the trigger, expel the pellets while continuing to slowly withdraw the needle. This technique allows the pellets to be deposited in a

STEP 6 Inspection

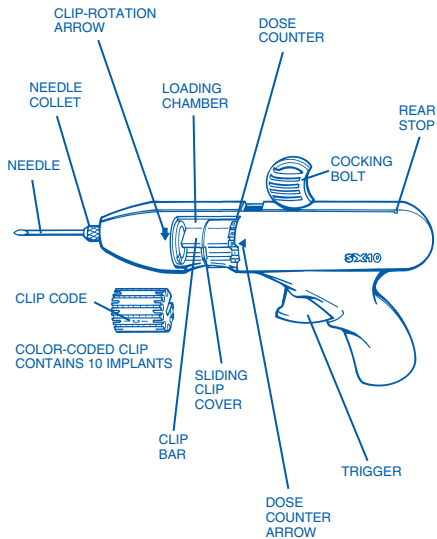


Check the implant site. If properly administered, the implants should lie in a straight line under the skin.

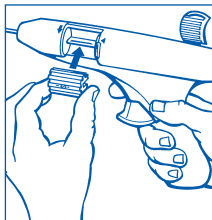
Rotate the implant clip to the next dose. Disinfect the Synovex gun needle in a germicidal solution. You are now ready to implant the next animal.

- 7 -

SYNOVEX® SX10 Gun



STEP 1 Loading the SX10 Gun



Load the SX10 gun following the directions outlined in the instruction manual accompanying each SX10 gun.

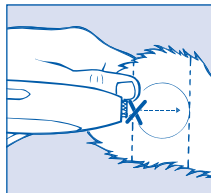
STEP 2 Restraint



The animal must be confined in a restraint mechanism (squeeze chute or head gate). The implant site on the back of the ear should be prepared by scrubbing with a firm bristled brush that has been soaked in a germicidal solution.

Note: If implanting horned cattle, greater safety is provided when the head is controlled by the use of a bull lead (nose tongs).

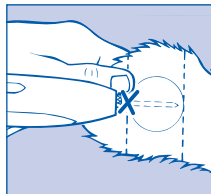
STEP 3 Implant Site



Divide the ear into three imaginary sections as illustrated. The implanted pellets should be deposited in the center one-third of the ear as shown. To accomplish this, the SX10 gun needle should be inserted in the **outer** one-third of the ear as

indicated by the "X" in the illustration. Implanting too close to the head may cause abnormal sexual behavior. Care should be taken to avoid severing the major arteries of the ear.

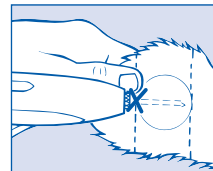
STEP 4 Insert Needle



Grasp the ear with one hand. While holding the SX10 gun firmly with the other hand, penetrate the skin at the point shown by the "X". Thrust the needle under the skin taking care not to penetrate the cartilage. Ease the SX10 gun forward (toward the base of the

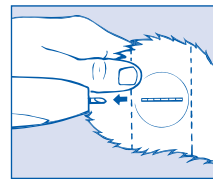
ear) until the full needle length is beneath the skin.

STEP 5 Pellet Implantation



When the needle is completely inserted, activate the instrument by squeezing the trigger completely. Do not withdraw the needle, but allow the automatic needle retractor to release the pellets. This will allow the pellets to be deposited in a straight line in the path of the retracted needle.

STEP 6 Inspection



Check the implant site. If properly administered, the implants should lie in a straight line under the skin. Re-cock the gun by grasping the barrel with your left hand and lifting the cocking bolt with your right hand. Fully retract the bolt to the rear of the device. Then, return the bolt forward to its locked position. Disinfect the SX10 gun needle in a germicidal solution. The SX10 gun is now ready to implant the next animal.

zoetis
Distributed by:
Zoetis Inc.
Kalamazoo, MI 49007

SYNOVEX[®] C
(progesterone and estradiol benzoate)

100 mg progesterone and
10 mg estradiol benzoate
per implant

CALF IMPLANTS

For Increased Rate
of Weight Gain

This product was
manufactured by a
non-sterilizing process.

Do Not Use In Veal Calves
Not For Use In Humans
For Animal Use Only

zoetis

NADA 9-576, Approved by FDA